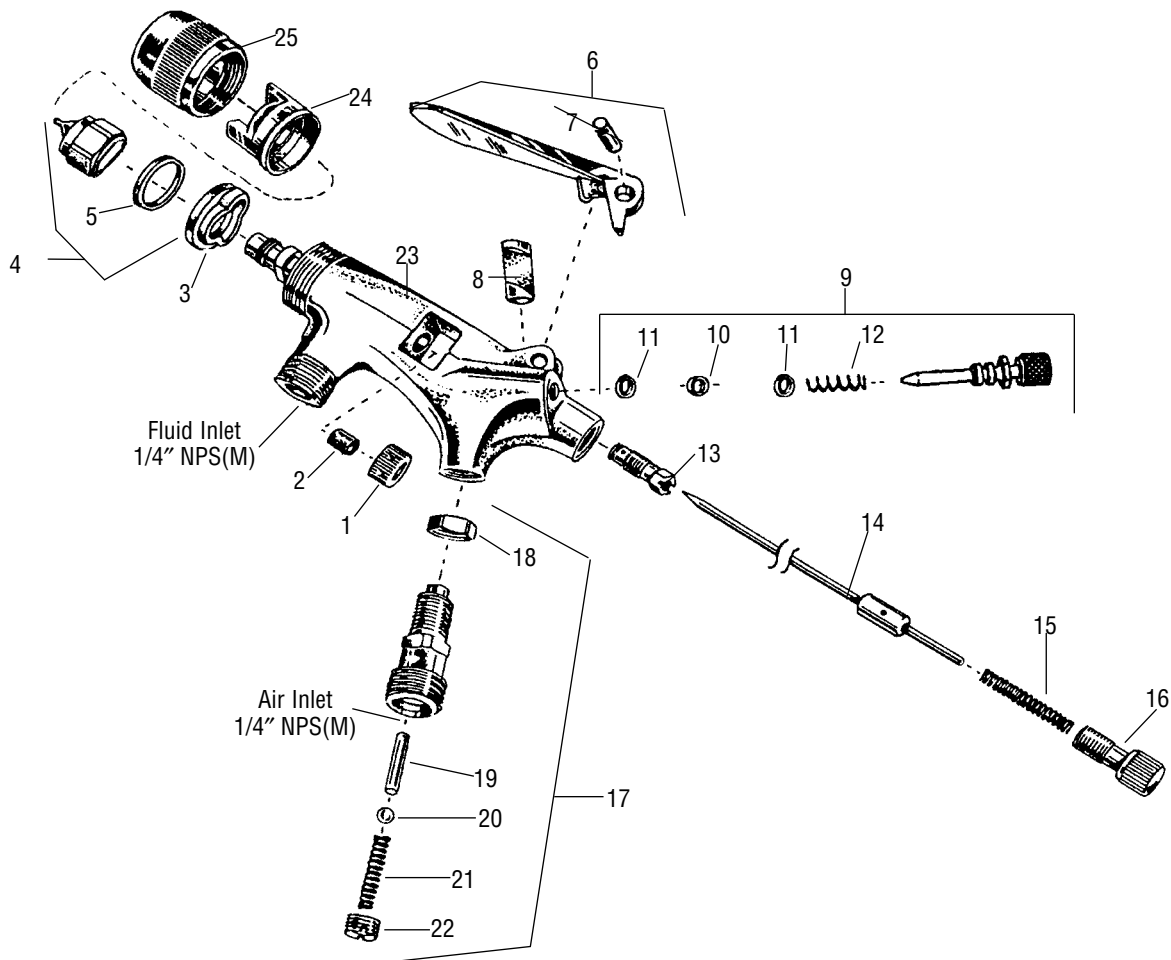


Refer to Service Bulletin: SB-2-163

Customer Service
1-800-445-3988

EGA Detail Pro™ 110222 (EGA-503-390F)



Ref. No.	Order No.	Model No.	Description	Ind. Parts Required
1	190082	EGA-4	Packing Nut	1
*2	190412	38273-136-K5	Needle Packing (Kit of 5)	1
3	190090	EGA-7	Baffle (air distributor)	1
*4	191974	EGA-4000-F	Tip, Needle & Gasket (lapped) (includes #14)	1
*5	190494	EGA-59-K5	Gasket (Kit of 5) (Polyethylene)	1
6	190087	EGA-443	Trigger & Stud Assembly	1
*7	—	—	Trigger Bearing Stud	1
*8	—	—	Air Valve Plunger	1
9	190495	EGA-454	Fan Adjustment Assembly – Horn	1
*10	—	—	O-Ring	1
*11	—	—	Washer	2
*12	—	—	Spring	1
13	190081	EGA-3	Packing Gland	1
*14	—	—	Fluid Needle (included in Item 4)	1
*15	—	—	Needle Spring	1
16	190015	AG-16	Needle Adj. Screw	1
17	190085	EGA-441	Air Valve Assembly	1
18	—	—	Lock Nut	1
*19	—	—	Stem	1
*20	—	—	Ball	1
*21	—	—	Spring (Kit of 5)	1
22	—	—	Spring Retainer	1
23	—	—	Gun Body Assembly	1
24	190083	EGA-40-390	Air Cap For EGA Detail Pro™	1
25	190079	EGA-11	Retaining Ring For EGA Detail Pro™	1

NOTE: Repair Kit 190681 (KK-5044)
A complete gun rebuild kit consists of:

Ref. No.	Description	Qty.
2	Flid. Needle Packing	1
5	Gasket	1
7	Trigger Bearing Stud	1
8	Air Valve Plunger	1
10	O-Ring	1
11	Washer	2
12	Spring	1
15	Needle Spring	1
19	Stem	1
20	Ball	1
21	Spring	1

* A quantity of necessary parts is included in Gun Repair Kit KK-5044.

Suffixes: -K3, -K5, etc. designates kits of multiple parts. Example: 38273-136-K5 is a kit of 5 packings.

•EGA-4000-F (191974)
Fluid Tip, Needle & Gasket consists of:

Ref. No.	Description	Tip Size I.D.		Qty.
		In	mm	
4	Fluid Tip (F)	.039	1.0	1
5	Gasket			1
14	Fluid Needle (F)			1

NOTE: See page 53 for TGS-503 Suction Cup parts breakdown.